



PRO & COMP
SERVICE & TRAVEL GUIDE

HAYES

PERFORMANCE SYSTEMS



Hayes Performance Systems
5800 W. Donges Bay Rd.
Mequon, WI 53092

Tel: 888.686.3472
Email: techsupport@hayesbicycle.com
Web: www.hayescomponents.com

Hayes Components Europe
Dirnismaning 20 a
85748 Garching (b. Munich)
Germany
ph: +49 (0)89 203237450

Email: techsupportEU@hayesbicycle.com
Web: www.hayescomponents.com

HAYES PERFORMANCE SYSTEMS WARRANTY

Limited Warranty:

HAYES warrants its products to be free from defects in materials or workmanship under normal intended use for a period of one year (two years in European Union countries) from the date of purchase, subject to normal wear and tear. Unless otherwise prohibited by law, any such defective products will be repaired or replaced at the option of HAYES when received with proof of purchase, freight prepaid. This warranty does not cover breakage, bending, or damage that may result from crashes or falls. This warranty does not cover any defects or damage caused by alterations or modifications of HAYES products or by normal wear, accidents, improper maintenance, damages caused by the use of HAYES products with parts of different manufacturers, improper use or abuse of the product, application or uses other than those set forth in the HAYES instruction manual or failure to follow the instructions contained in the applicable HAYES instruction manual. Instruction manuals can be found on-line at www.hayescomponents.com. Any modifications made by the BUYER or any subsequent user will render the warranty null and void. This warranty does not apply when the serial number or production code has been deliberately altered, defaced or removed from the product. The cost of normal maintenance or replacement of service items, which are not defective, shall be the BUYER's responsibility. If permitted by local law, this warranty is expressly in lieu of all other warranties (except as to title), express or implied, and in particular and without limitation HAYES disclaims the implied warranties of merchantability or fitness for purpose. If for any reason warranty work is necessary, return the component to the place of purchase or contact your dealer or local HAYES distributor. In the USA, contact HAYES for a return authorization number (RA#) at (888) 686-3472. At that time, instructions for repair, return, or replacement shall be given. Customers in countries other than the USA should contact their dealer or local HAYES distributor.

Limitation of Liability.

Unless required by mandatory law, HAYES shall not be liable for any incidental, indirect, special or consequential damages.

This warranty does not apply to normal wear and tear. Wear and tear parts are subject to damage through normal use, failure to service according to recommendations or riding in conditions other than recommended. The cost of normal maintenance or replacement of service items, which are not defective, shall be paid for by the original purchaser. Wear and tear parts that will not be replaced under warranty include but are not limited to the following:

| | | |
|-----------------|-------------------------------------|-------------------------------|
| Bushings | Dust Seals | Stripped or Worn Bolts |
| Rear Shock | Fork/Shock Air Seals and/or O-rings | Remote Lockout Cable |
| Mount Hardware | Bearings | Gloves |
| Handlebar grips | Upper Stanchion Tubes | Lower Stanchion Tubes(Dorado) |
| Tubeless Valves | Tubeless Tape | |

INTRODUCTION

This manual is intended to guide the user through the steps necessary to fully service and maintain the Machete line of suspension forks.

! WARNING !

We highly recommend that service to this fork be performed by a certified bicycle mechanic. Failure to follow instructions presented in this manual could lead to serious injury or death. Any questions about the servicing of this fork or the manual itself should be directed to Manitou Customer Support at:

Phone: 888-686-3472

Email: techsupport@hayesbicycle.com

! WARNING !

Suspension forks by design can contain pre-loaded springs, gases and fluids under extreme pressures. Warnings contained in this manual must be observed to avoid damage to fork, serious injury or even death.

TABLE OF CONTENTS

| SECTION | PAGE NUMBER |
|-------------------------------------|-------------|
| Tools and Materials | 6 |
| Casting Removal & Service | 7-9 |
| Air Spring Service | 10-14 |
| Damper Service | 15-17 |
| Casting Installation | 18-20 |
| Compression Damper Install | 21-25 |
| Exploded Diagrams | 26-31 |
| Rebuild Kit Diagrams | 32-37 |
| Compression Rod Kit/Travel Settings | 38 |

TOOLS AND MATERIALS

Below is a list of tools and materials necessary for servicing the Machete fork.

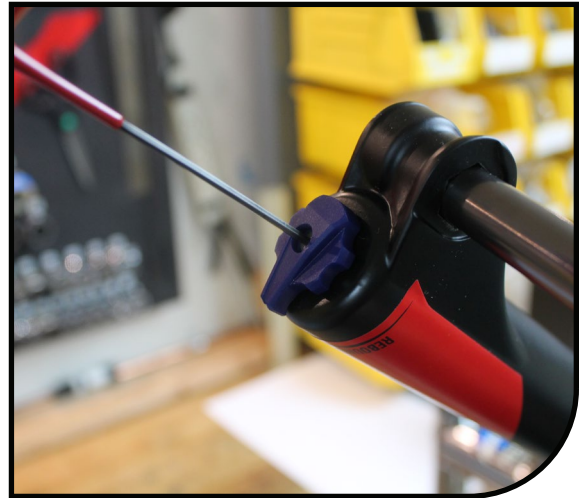
- Safety Glasses
- Nitrile Gloves
- Lint-Free Rags
- Slickoleum™ Grease
 - 10-Oz Tub – Manitou Part Number 20-32929
 - 5MI Tube – Manitou Part Number 141-33604-K001
- Semi-Bath Oil, 5/40W Synthetic
 - Manitou Part Number 85-0022
- 5W Maxima Fork Oil
 - Manitou Part Number 85-0023
- 32mm Seal Press
 - Manitou Part Number 172-31122
- 32mm Rebuild Kit
 - Manitou Part Number 141-28528-K009
- 8mm Hex Socket
- 2mm Hex Wrench
- 12mm Socket
- 20mm Socket
- 24mm Socket
- 22mm Box End Wrench
- 12mm Box End Wrench
- Torque Wrench Ratchet
- 22mm Crow's Foot
- Fork/Shock Pump
- Pick
- Adjustable Wrench
- Downhill Tire Lever Or Flat Blade Screwdriver

If your fork has the Kwik Toggle damper then you will need;

- Manitou Tool Kit - Manitou Part Number 172-31133 (Includes The 3 Tools Below)
 - Manitou Cassette Tool
 - Manitou Thin Walled 8mm Socket
 - Manitou 24mm Flat Ground Socket

CASTING REMOVAL & SERVICE

- 1 Remove rebound knob using a 2mm hex wrench.



- 2 Insert an 8mm hex wrench into the end of the rebound damper rod and turn the rod **clockwise** until it is disengaged from the casting and can be pushed into the casting.



- 3 Use a 12mm wrench to remove the compression rod bolt.



CASTING REMOVAL & SERVICE

- 4** Remove casting from fork. It is recommended this be done over a drain pan as the lower casting contains semi-bath oil. Allow oil in casting to drain out before continuing to next step.



- 5** Using a downhill tire lever or similar tool, gently pry the dust seals out of the casting.



- 6** Remove old foam wiper rings. Apply semi-bath fluid to the new foam wiper rings and install into fork casting.



CASTING REMOVAL & SERVICE

7

Remove springs from lip of dust seals. Using the Manitou 32mm Seal Press or large socket press in the dust seals. Reinstall springs onto seals.



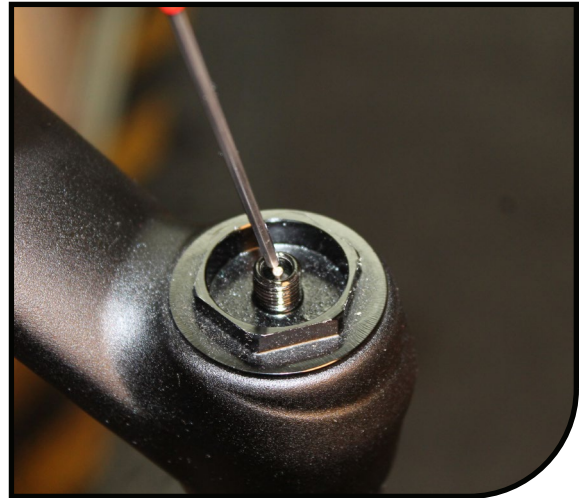
AIR SPRING SERVICE

1

! WARNING !

Suspension forks by design can contain preloaded springs, gases and fluids under extreme pressures. Warnings contained in this manual must be observed to avoid damage to fork, serious injury or even death.

Release air from the fork. Depress Schrader valve a few times to ensure all air is released.



2

Remove air cap using a 20mm socket.



3

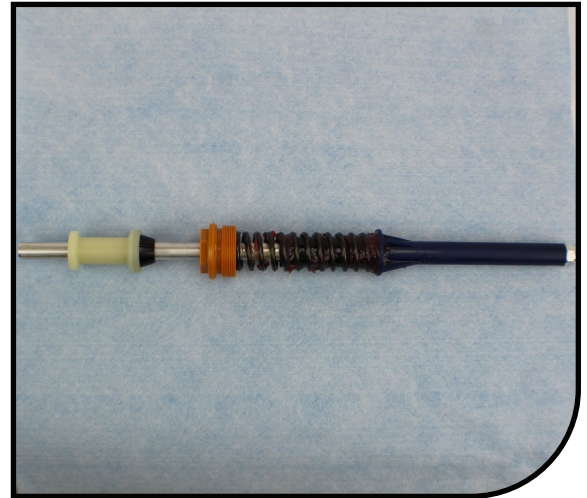
Invert the fork and use a 22mm box end wrench to unthread the air spring assembly from the stanchion.



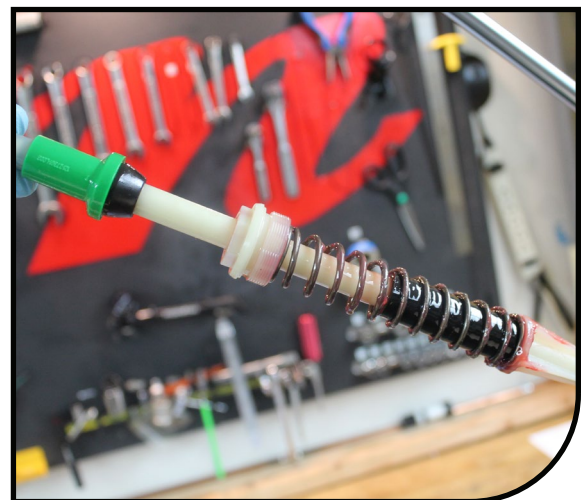
AIR SPRING SERVICE

4

Remove air spring assembly from the stanchion. Clean spring and rod assembly and re-grease. The air spring pictured to the right is from the **Machete Pro**.



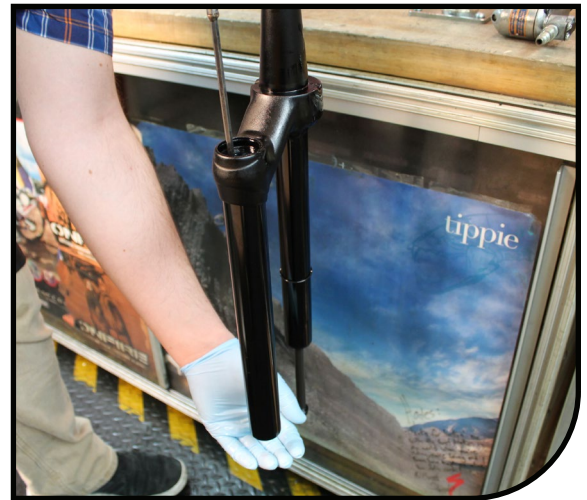
The air spring pictured to the right is from the **Machete Comp**.



AIR SPRING SERVICE

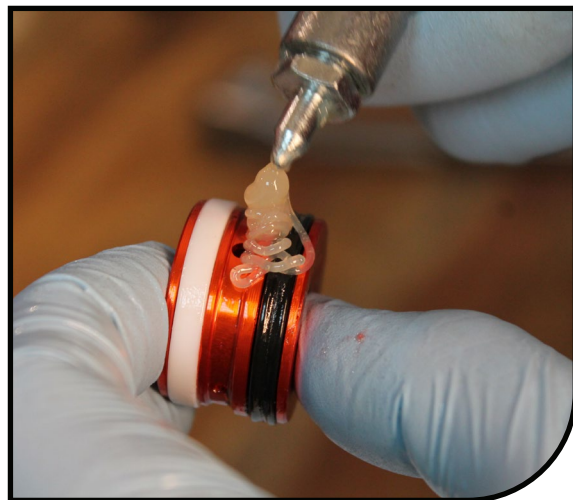
5

Using a long dowel rod or similar tool push the air piston down the stanchion and out of the bottom. Be careful to not scratch the inner surface of the stanchion. Once the piston is removed clean the inside of the stanchion with isopropyl alcohol and a lint free towel. Inspect the inside and outside of the stanchion for scratches or other damage.



AIR SPRING SERVICE

- 6** Liberally grease the piston quad seal and outer surface with Slickoleum™ grease.



- 7** Install greased air piston into the top of the stanchion and push it down past the threads.



- 8** Add 8cc's of Slickoleum™ grease to the top of the air piston.

AIR SPRING SERVICE

9

Install air cap onto stanchion.
Tighten to 60-80 in lb [6.8-9.0 N m].



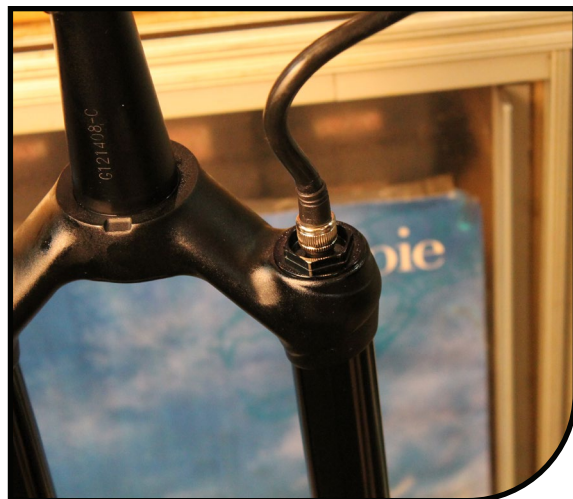
10

Install air spring assembly into stanchion. Using a 22mm crow's foot, tighten assembly end cap to 80-100 in lb [9.0-11.3 N m].



11

Attach a shock pump and inflate air leg to 40-50PSI. This will aid in installing the casting later.



DAMPER SERVICE

- 1** The Machete fork can have two compression damper configurations, ABS+ or Kwik Toggle. The following instructions will work for both. Remove ABS+ or Kwik Toggle knob using a 2mm Allen wrench. If the fork has ABS+, remove knob carefully as there are two detent ball bearings on springs below the knob.



(ABS+ knob detent ball and springs.)

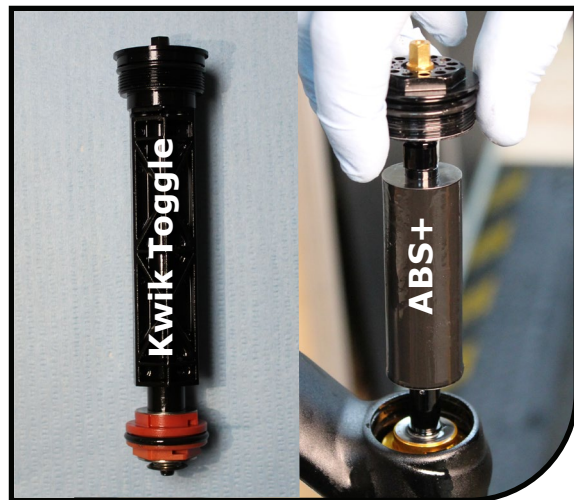


- 2** Unthread ABS+ compression damper assembly from the stanchion using a 24mm socket and ratchet. If the fork has the Kwik Toggle compression damper you will need to use the Manitou Cassette Tool and 1" wrench or socket to remove the damper.

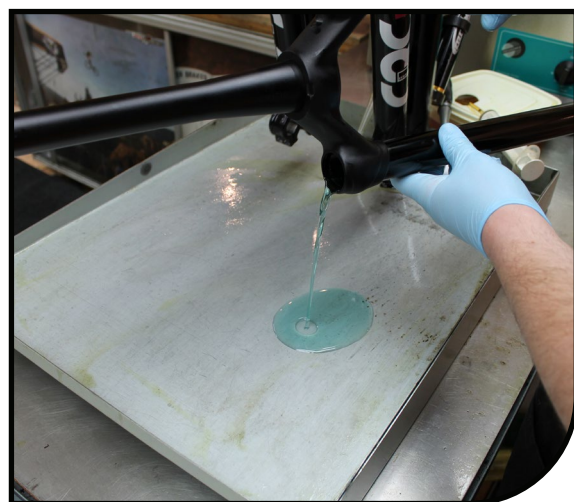


DAMPER SERVICE

- 3 Remove Kwik Toggle or ABS+ or compression damper assembly from the stanchion.



- 4 Pour damper oil into a catch pan.



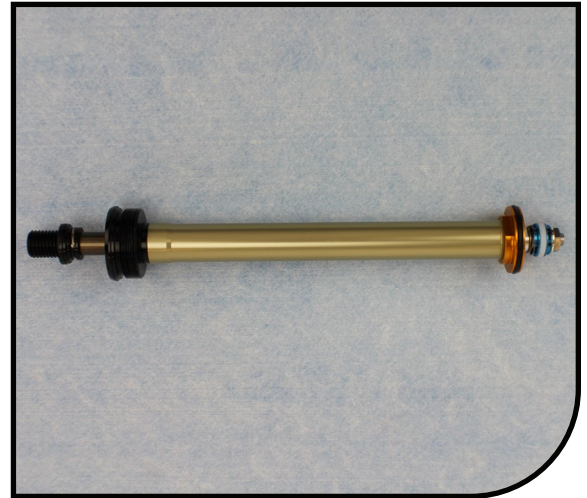
- 5 Using a 22mm box end wrench, unthread the rebound damper assembly from the fork stanchion.



DAMPER SERVICE

6

Remove rebound damper assembly from the fork. Once the damper assembly is removed, clean the inside of the stanchion with isopropyl alcohol and a lint free towel. Inspect the inside and outside of the stanchion for scratches and other damage. Inspect rebound damper for damage as well. Replace if necessary. The rebound damper pictured to the right is from the **Machete Pro**.



The rebound damper pictured to the right is from the **Machete Comp**.



7

Install rebound damper into stanchion. Using a 22mm crow's foot and torque wrench, tighten the rebound damper assembly end cap to 80-100 in lb [9.0-11.3 N m].

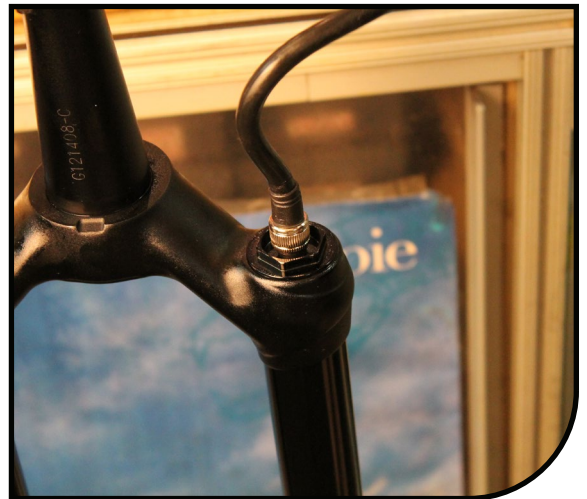


CASTING INSTALL

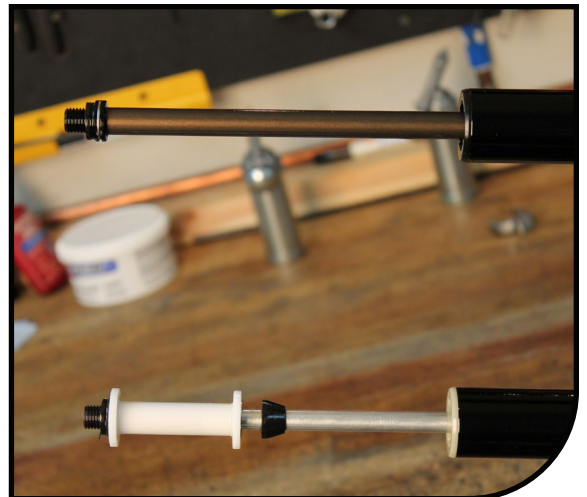
- 1 Before filling the fork with fork oil and installing the ABS+ or Kwik Toggle compression damper, we must first install the casting. This ensures a correct oil level. First apply a generous amount of grease to the dust seal.



- 2 Fill the air chamber with a small amount of air (40-50PSI). This will extend the air spring assembly and make casting installation easier.



- 3 Fully extend the rebound damper rod.



CASTING INSTALL

4

Slide casting onto the stanchion assembly. Only slide the casting down about halfway at this point. Take care that the seals do not fold over upon installation



5

Insert 15cc's (15ml) of semi-bath into each casting leg. Once the semi-bath is in the legs slide the casting the rest of the way onto the stanchion assembly.



6

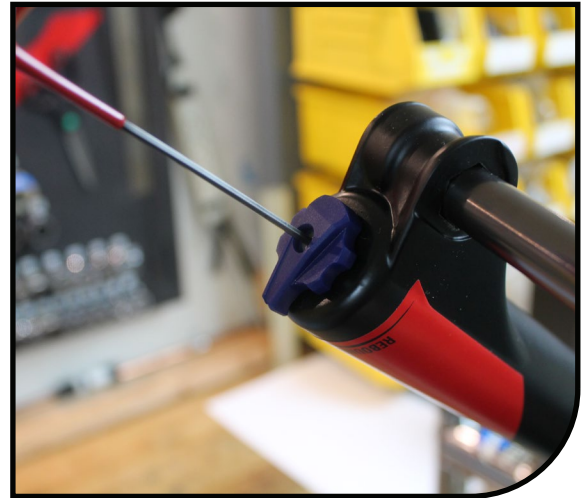
Using an 8mm hex wrench tighten the rebound damper rod and air spring assembly to 35–40 in lb [3.95–4.5 N m] by turning them **counter-clockwise**. Do not overtighten, doing so can damage the end of the rods.



CASTING INSTALL

7

Install the rebound knob using a 2mm hex wrench. Add a small drop of blue Loctite to the screw before installation to prevent the screw from backing out during riding.



8

Install compression rod bolt. It helps to have at least 50psi in the air chamber when tightening down the bolt to the proper torque. Use a 12mm socket and torque wrench and tighten to 45–55 in lb [5.1–6.2 N m].



COMPRESSION DAMPER INSTALL

- 1 Pour 5wt Maxima fork oil into the damper leg. Fill it up about 3/4 full.



- 2 Place a lint-free towel over the opening in the damper leg and compress the fork 10-15 times.



- 3 Pour additional 5wt fork oil into the damper leg until the oil height (space from the top of the damper leg to the top of the oil) is set at the proper level. See following page for the correct oil height depending on compression damper type and fork travel. An oil height setting tool used for motorcycle forks similar to the one pictured makes this job easier.



COMPRESSION DAMPER INSTALL

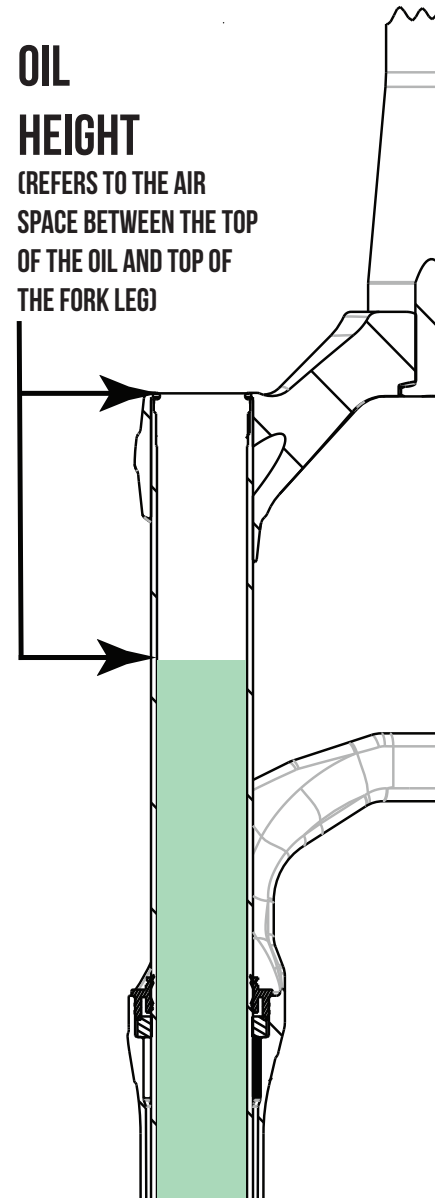


OIL HEIGHT CHART 2017-2018

| FORK MODEL | OIL HEIGHT |
|-----------------------------------|------------|
| MASTODON PRO | 75MM |
| MASTODON COMP | 87MM |
| MARKHOR (80/100MM) | 92MM |
| MARKHOR (120MM) | 97MM |
| MATTOC PRO | 75MM |
| MATTOC COMP | 87MM |
| MACHETE (ABS+) | 87MM |
| MACHETE (KWIK TOGGLE, 90-120MM) | 87MM |
| MACHETE (KWIK TOGGLE, 130-140MM) | 91MM |
| CIRCUS COMP/EXPERT | 87MM |
| CIRCUS SPORT (FFD) | 83MM |
| R7 PRO | 83MM |
| DORADO (SEE DORADO SERVICE GUIDE) | 180-190MM |

OIL HEIGHT

(REFERS TO THE AIR SPACE BETWEEN THE TOP OF THE OIL AND TOP OF THE FORK LEG)



NOTE

1. OIL HEIGHT IS SET WITH COMPRESSION DAMPER REMOVED.
2. OIL HEIGHT IS SET WITH FORK FULLY EXTENDED AND CASTING INSTALLED.

COMPRESSION DAMPER INSTALL

4 Insert the ABS+ or Kwik Toggle compression damper into the damper leg. Ensure the damper is set in the unlocked position when installing.



5 If installing an ABS+ damper use a 24mm socket and torque wrench, tighten the damper to 60–80 in lb [6.8–9.0 N m]. If installing a Kwik Toggle damper use a 1" socket or crow's foot, the Mattoc Cassette tool and a torque wrench to tighten down the damper to the same torque specification.



6 If the damper is an ABS+, install springs and ball bearings into ABS+ top cap. A small dab of grease on top of the spring can help hold the ball bearings in place.

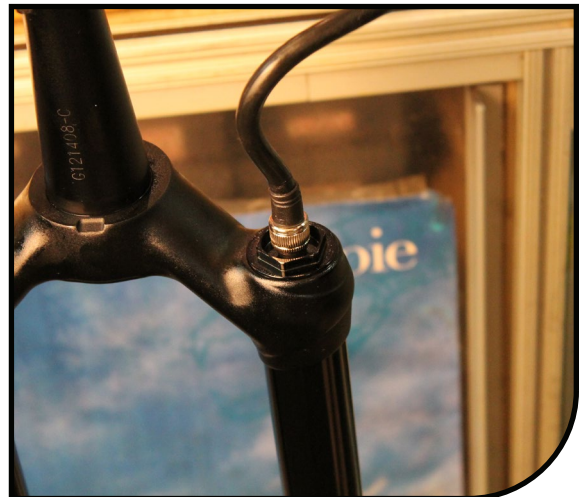


COMPRESSION DAMPER INSTALL

- 7** Using a 2mm Hex wrench, install the ABS+ or Kwik Toggle knob.



- 8** Clean fork and use a shock pump to set to desired pressure. Pressure charts on next page for reference.

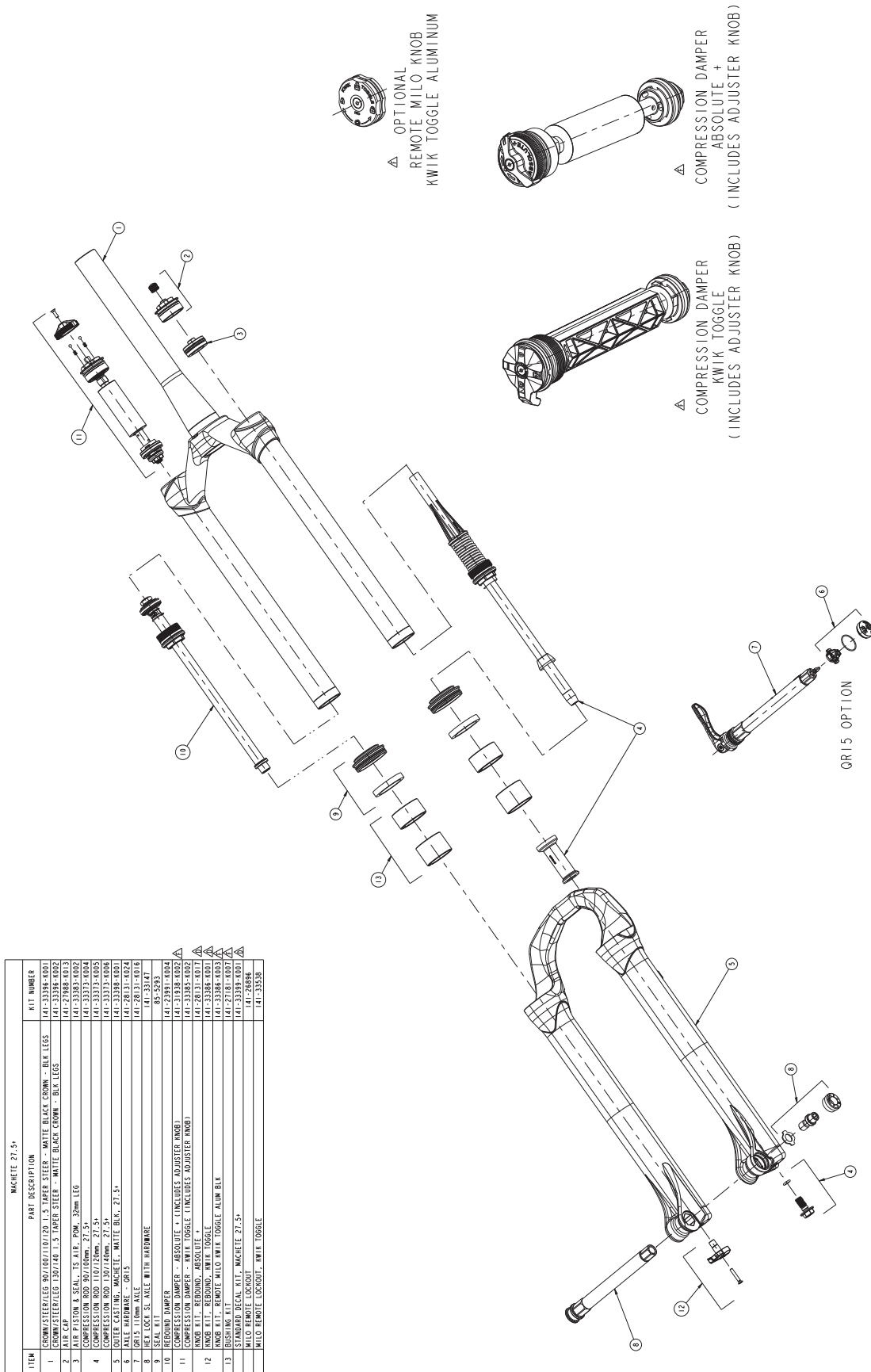


COMPRESSION DAMPER INSTALL

| Machete Pro | | | |
|---|------|--------------|---------|
| Rider Weight | | Air Pressure | |
| LBS | KGS | PSI | [BAR] |
| >220 | >100 | 76-84 | 5.2-5.8 |
| 200 | 91 | 65-76 | 4.5-5.2 |
| 170 | 77 | 53-65 | 3.7-4.5 |
| 140 | 64 | 42-53 | 2.9-3.7 |
| 12 | 55 | 34-42 | 2.3-2.9 |
| ! WARNING ! | | | |
| MAX PRESSURE NOT TO EXCEED 120 PSI [8.3 BAR] | | | |

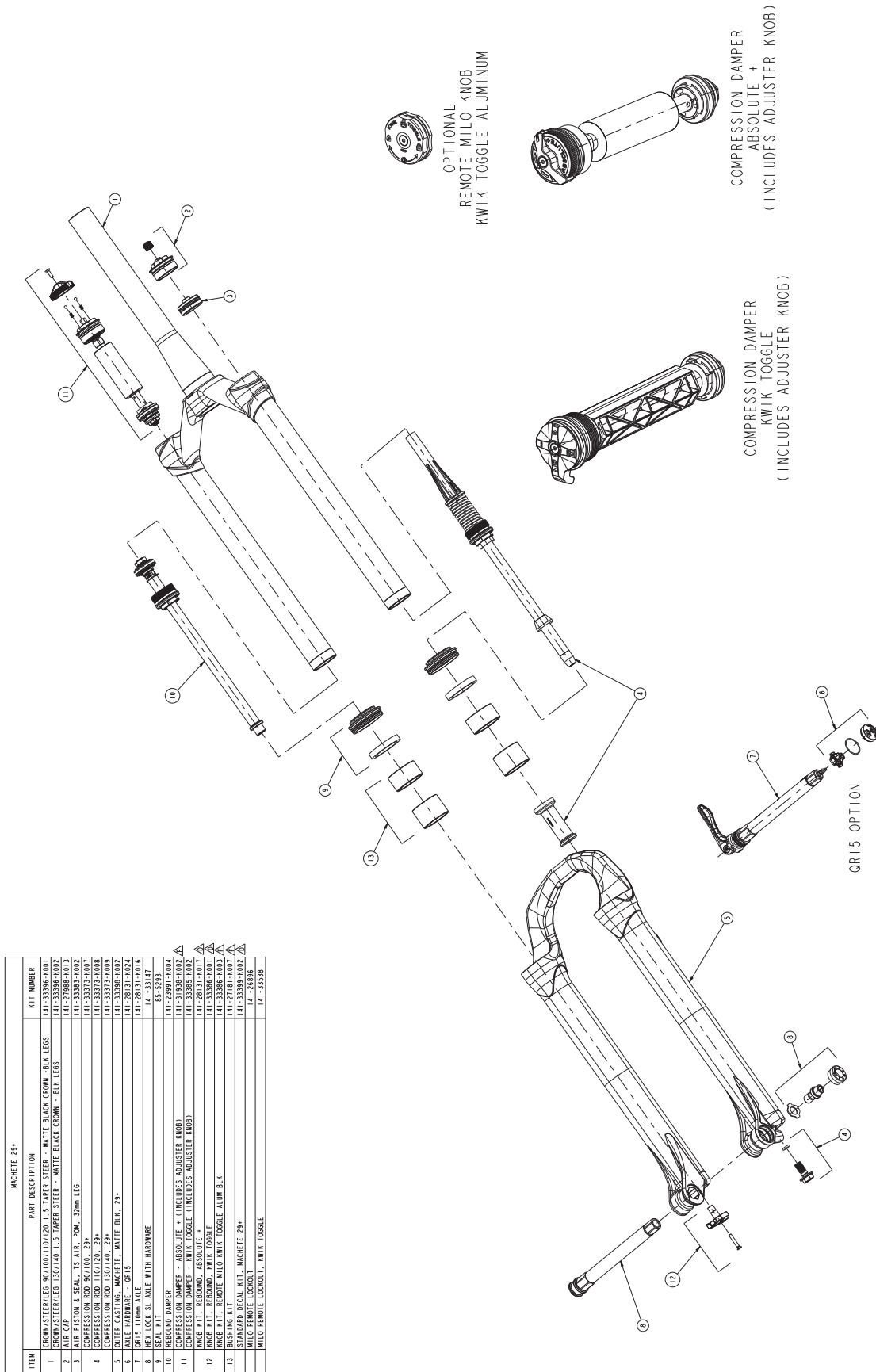
| Machete Comp | | | |
|---|------|--------------|---------|
| Rider Weight | | Air Pressure | |
| LBS | KGS | PSI | [BAR] |
| >220 | >100 | 75-95 | 5.2-6.6 |
| 200 | 91 | 72-87 | 5.0-6.0 |
| 170 | 77 | 68-80 | 4.7-5.5 |
| 140 | 64 | 64-75 | 4.4-5.2 |
| 12 | 55 | 55-72 | 3.8-5.0 |
| ! WARNING ! | | | |
| MAX PRESSURE NOT TO EXCEED 120 PSI [8.3 BAR] | | | |

MACHETE 110 COMP 27.5+ EXPLODED VIEW



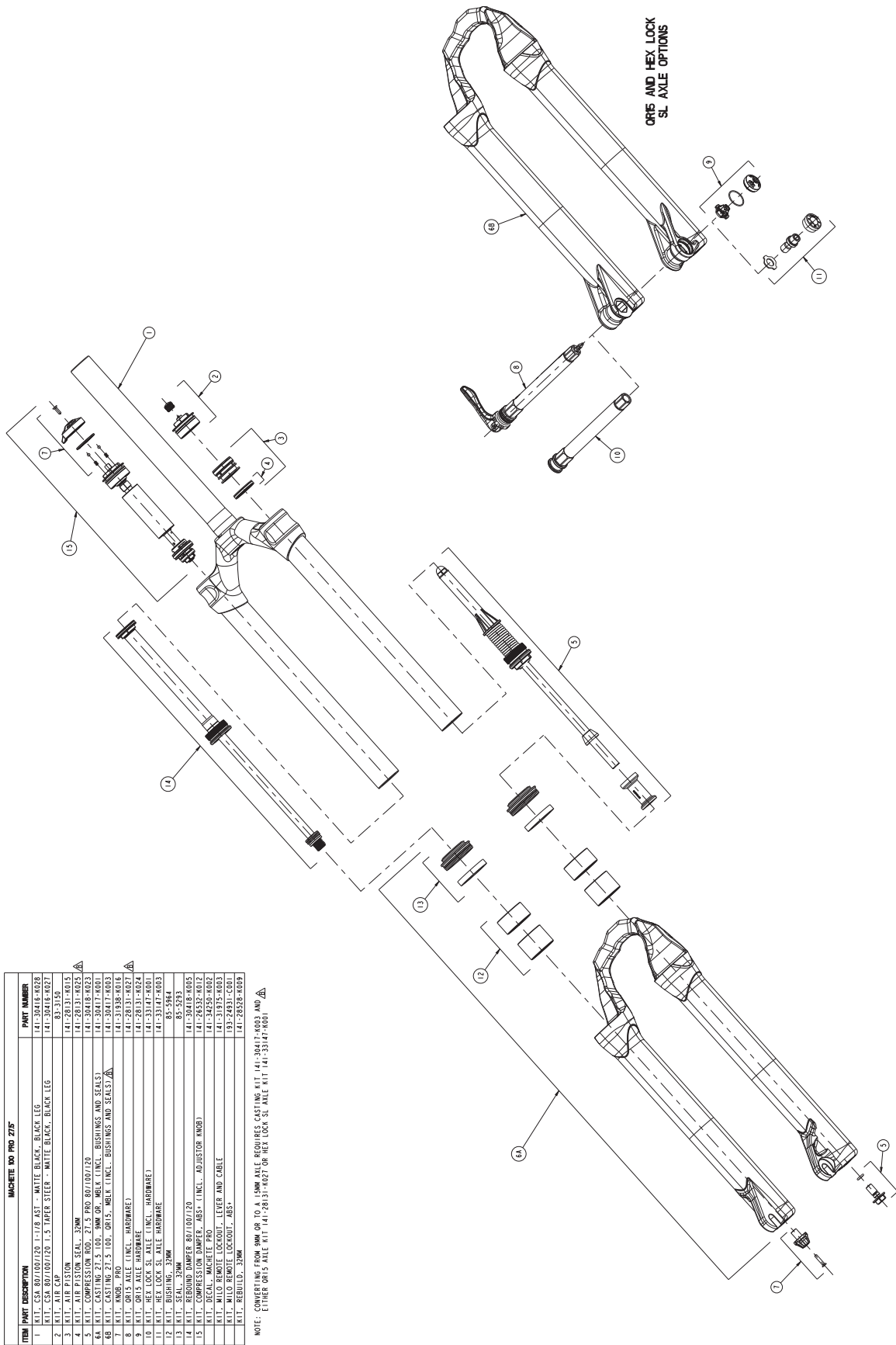
| ITEM | PART DESCRIPTION | RIT NUMBER |
|------|--|----------------|
| 1 | CROWN/STEEZA/LEG 90/100/110/120 1.5 TAPER STEER - WHITE BLACK CROWN - BLK LEGS | 141-33396-0001 |
| 2 | CROWN/STEEZA/LEG 130/140 1.5 TAPER STEER - WHITE BLACK CROWN - BLK LEGS | 141-33396-0002 |
| 3 | 1.5" PISTON W/ SEAL 15 ALU 30mm LEG | 141-33395-0002 |
| 4 | COMPRESSION ROD 90/100mm 27.5+ | 141-33373-0004 |
| 5 | COMPRESSION ROD 110/120mm 27.5+ | 141-33373-0005 |
| 6 | COMPRESSION ROD 130/140mm 27.5+ | 141-33373-0006 |
| 7 | OR 15 HARWARE KIT | 141-28131-0024 |
| 8 | OR 15 110mm AXLE | 141-28131-0016 |
| 9 | HEX LOCK SL AXLE WITH HARDWARE | 141-33147 |
| 10 | SEAL KIT | 85-5793 |
| 11 | COMPRESSION DAMPER - ABSOLUTE + (INCLUDES ADJUSTER KNOB) | 141-33396-0002 |
| 12 | COMPRESSION DAMPER - KWIK TOGGLE (INCLUDES ADJUSTER KNOB) | 141-33395-0002 |
| 13 | KNOB KIT - REBOUND - ABSOLUTE + | 141-28131-0017 |
| 14 | KNOB KIT - REBOUND - KWIK TOGGLE | 141-33396-0001 |
| 15 | STANDARD DECAL KIT - MACHETE 27.5+ | 141-27188-0007 |
| 16 | STANDARD DECAL KIT - MACHETE 27.5+ | 141-27188-0007 |
| 17 | MILO REMOTE LOCKOUT | 141-33397-0001 |
| 18 | MILO REMOTE LOCKOUT | 141-28896 |
| 19 | MILO REMOTE LOCKOUT - KWIK TOGGLE | 141-33398 |

MACHETE 110 COMP 29+ EXPLODED VIEW



| ITEM | PART DESCRIPTION | KIT NUMBER |
|------|--|----------------|
| 1 | LOWER STEERER 90/100/110/120 - 1.5 TAPER STEEL - WHITE BLACK CROWN - BULK LEGS | 141-33338-K001 |
| 2 | AIR CAP | 141-27888-K013 |
| 3 | AIR PISTON & SEAL - 15 AIR - POM - 32mm LEG | 141-33383-K002 |
| 4 | COMPRESSION ROD 90/100 - 29+ | 141-33313-K001 |
| 5 | COMPRESSION ROD 110/120 - 29+ | 141-33313-K003 |
| 6 | LOWER CASTING - MACHETE - WHITE BLK - 29+ | 141-33388-K002 |
| 7 | AXLE HARDWARE - OR15 | 141-28131-K024 |
| 8 | OR15 1.0mm AXLE | 141-28131-K016 |
| 9 | HEX LOCK SL. AXLE WITH HARDWARE | 141-33147 |
| 10 | BEARING DAMPER | 141-23881-K004 |
| 11 | COMPRESSION DAMPER - ABSOLUTE + (INCLUDES ADJUSTER KNOB) | 141-31938-K002 |
| 12 | COMPRESSION DAMPER - KWIK TOGGLE (INCLUDES ADJUSTER KNOB) | 141-33388-K002 |
| 13 | COMPRESSION DAMPER - ABSOLUTE + | 141-31938-K001 |
| 14 | COMPRESSION DAMPER - KWIK TOGGLE | 141-33388-K001 |
| 15 | HAND KIT - REMOTE MILO KWIK TOGGLE ALUM BLK | 141-27181-K007 |
| 16 | STANDARD DECAL KIT - MACHETE 29+ | 141-33389-K002 |
| 17 | MILO REMOTE LOCKOUT | 141-26886 |
| 18 | MILO REMOTE LOCKOUT - KWIK TOGGLE | 141-33338 |

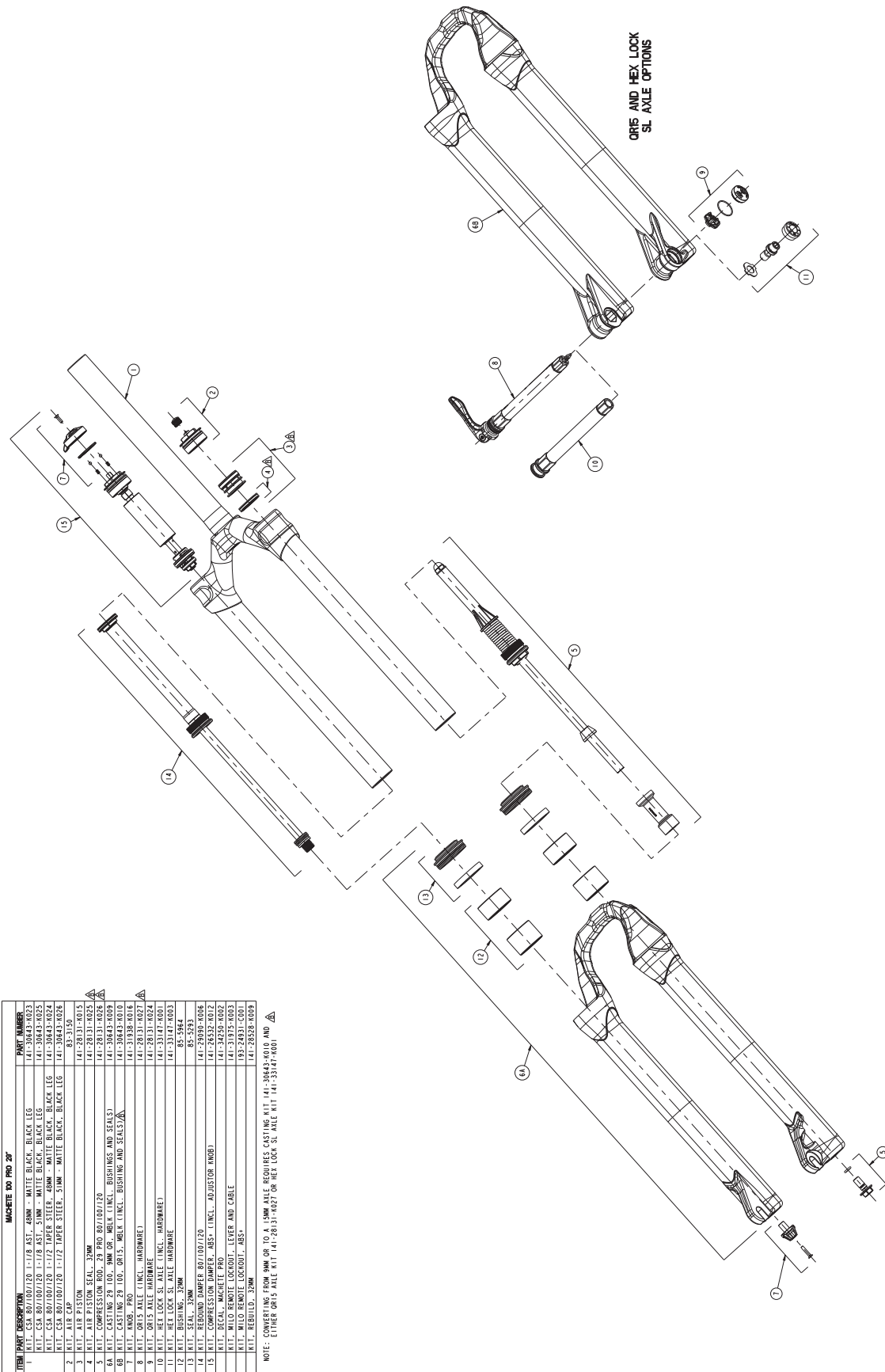
MACHETE 100 PRO 27.5 EXPLODED VIEW



| ITEM | PART DESCRIPTION | PART NUMBER |
|------|---|----------------|
| 1 | KIT, CSA 80/100/120 1.1/8 AST - MATTE BLACK, BLACK LEG | 141-30415-K028 |
| 1 | KIT, CSA 80/100/120 1.5 TAPER STEER - MATTE BLACK, BLACK LEG | 141-30415-K027 |
| 2 | KIT, AIR CAP | 83-3150 |
| 3 | KIT, AIR PISTON | 141-28331-K015 |
| 4 | KIT, AIR SEAL, 32MM | 141-28331-K016 |
| 5 | KIT, COMPRESSION RING, 27.5 PRO 80/100/120 | 141-30415-K029 |
| 6A | KIT, CASTING 27.5 100, 3MM DR., WELK (INCL. BUSHINGS AND SEALS) | 141-30417-K001 |
| 6B | KIT, CASTING 27.5 100, 0R15, WELK (INCL. BUSHINGS AND SEALS) | 141-30417-K002 |
| 7 | KIT, W005-PRO | 141-31938-K016 |
| 8 | KIT, 0R15 AXLE - HARDWARE | 141-28331-K027 |
| 9 | KIT, 15MM AXLE - HARDWARE | 141-28331-K028 |
| 10 | KIT, HEX LOCK SL AXLE (INCL. HARDWARE) | 141-33147-K001 |
| 11 | KIT, HEX LOCK SL AXLE (HARDWARE) | 141-33147-K003 |
| 12 | KIT, BUSHING, 32MM | 85-5864 |
| 13 | KIT, SEAL, 32MM | 85-5933 |
| 14 | KIT, W005-PRO (80/100/120) | 141-30415-K029 |
| 15 | KIT, COMPRESSION DAMPER, ABS* (INCL. ADJUSTOR W005) | 141-24259-K012 |
| 16 | KIT, W10 REMOTE LOCKOUT, LEVER AND CABLE | 141-31975-K002 |
| 17 | KIT, W10 REMOTE LOCKOUT, ABS* | 193-24931-C001 |
| 18 | KIT, REBUILD, 32MM | 141-28332-K009 |

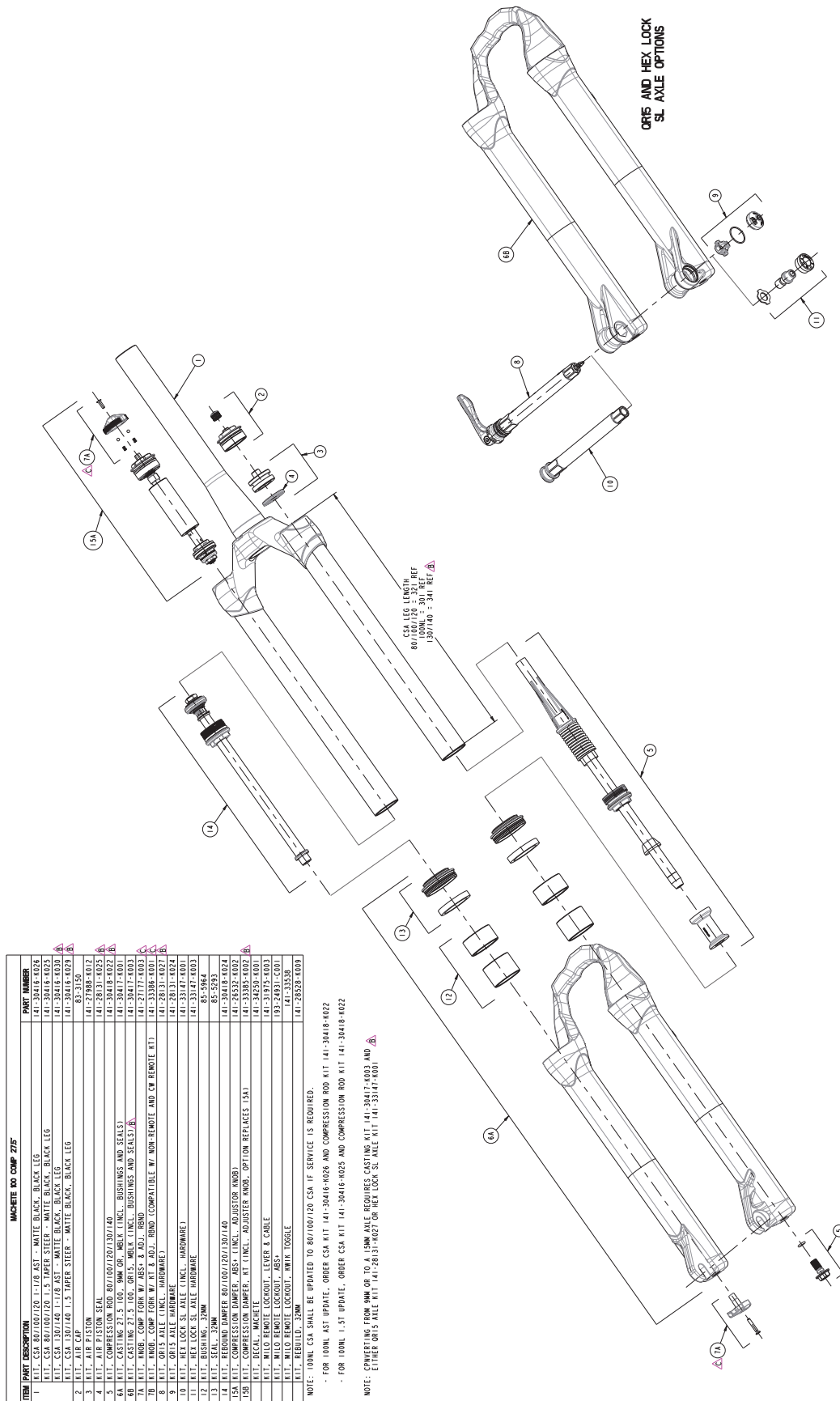
NOTE: CONVERTING FROM 32MM OR TO A 15MM AXLE REQUIRES CASTING KIT 141-30417-K003 AND EITHER 0R15 AXLE KIT 141-28331-K027 OR HEX LOCK SL AXLE KIT 141-33147-K001

MACHETE 100 PRO 29 EXPLODED VIEW

| ITEM | PART DESCRIPTION | PART NUMBER |
| --- | --- | --- |
| 1 | 1. KIT, FORK, 1-1/8" ASSE., 30MM - WHITE BLACK, BLACK LEG | 141-30643-0025 |
| 2 | 2. KIT, FORK, 1-1/8" ASSE., 30MM - WHITE BLACK, BLACK LEG | 141-30643-0025 |
| 3 | 3. KIT, FORK, 1-1/8" ASSE., 30MM - WHITE BLACK, BLACK LEG | 141-30643-0025 |
| 4 | 4. KIT, FORK, 1-1/8" ASSE., 30MM - WHITE BLACK, BLACK LEG | 141-30643-0025 |
| 5 | 5. KIT, FORK, 1-1/8" ASSE., 30MM - WHITE BLACK, BLACK LEG | 141-30643-0025 |
| 6A | 6A. KIT, CASTING 29 100, 30MM OR, WELK (INCL. BUSHINGS AND SEALS) | 141-30643-0010 |
| 6B | 6B. KIT, CASTING 29 100, ORIS, WELK (INCL. BUSHING AND SEALS) | 141-30643-0010 |
| 7 | 7. KIT, ORIS AXLE (HARDWARE) | 141-28131-0027 |
| 8 | 8. KIT, ORIS AXLE (HARDWARE) | 141-28131-0027 |
| 9 | 9. KIT, ORIS AXLE (HARDWARE) | 141-28131-0027 |
| 10 | 10. KIT, HEX LOCK SL AXLE (INCL. HARDWARE) | 141-33147-0003 |
| 11 | 11. KIT, HEX LOCK SL AXLE (HARDWARE) | 141-33147-0003 |
| 12 | 12. KIT, SEAL, 30MM | 85-5239 |
| 13 | 13. KIT, SEAL, 30MM | 85-5239 |
| 14 | 14. KIT, REBOUND DAMPER 80/100/120 | 141-29090-0006 |
| 15 | 15. KIT, COMPRESSION DAMPER, ABS* (INCL. ADJUSTOR ROD) | 141-26532-0012 |
| 16 | 16. KIT, BEARING, MACHETE PRO | 141-24250-0002 |
| 17 | 17. KIT, BEARING, MACHETE PRO | 141-24250-0002 |
| 18 | 18. KIT, MULO REMOTE LOCKOUT - ABS* | 103-24831-0001 |
| 19 | 19. KIT, MULO REMOTE LOCKOUT - ABS* | 103-24831-0001 |
| 20 | 20. KIT, REBUILD, 30MM | 141-28528-0009 |

NOTE: CONVERTING FROM 9MM OR TO A 15MM AXLE REQUIRES CASTING KIT 141-30643-0010 AND 141-33147-0003.
NOTE: EITHER ORIS AXLE KIT 141-28131-0027 OR HEX LOCK SL AXLE KIT 141-33147-0003

MACHETE 100 COMP 27.5 EXPLODED VIEW

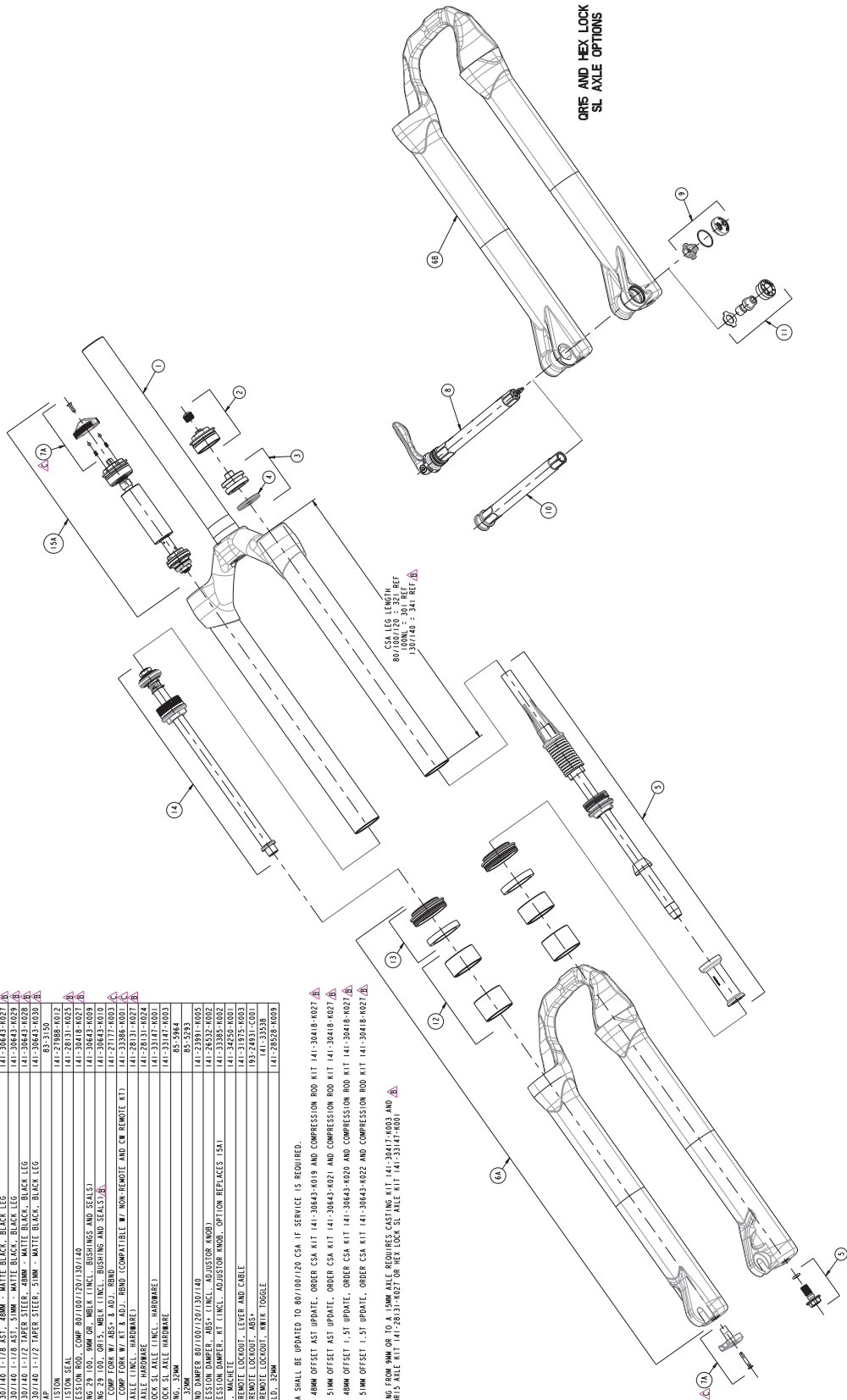


| MACHETE 100 COMP 27.5 | |
|-----------------------|----------------|
| ITEM | PART NUMBER |
| 1 | 141-30416-0026 |
| 2 | 141-30416-0025 |
| 3 | 141-30416-0026 |
| 4 | 141-30416-0025 |
| 5 | 141-30416-0026 |
| 6 | 141-30416-0025 |
| 7 | 141-30416-0026 |
| 8 | 141-30416-0025 |
| 9 | 141-30416-0026 |
| 10 | 141-30416-0025 |
| 11 | 141-30416-0026 |
| 12 | 141-30416-0025 |
| 13 | 141-30416-0026 |
| 14 | 141-30416-0025 |
| 15 | 141-30416-0026 |
| 16 | 141-30416-0025 |
| 17 | 141-30416-0026 |
| 18 | 141-30416-0025 |
| 19 | 141-30416-0026 |
| 20 | 141-30416-0025 |
| 21 | 141-30416-0026 |
| 22 | 141-30416-0025 |
| 23 | 141-30416-0026 |
| 24 | 141-30416-0025 |
| 25 | 141-30416-0026 |
| 26 | 141-30416-0025 |
| 27 | 141-30416-0026 |
| 28 | 141-30416-0025 |
| 29 | 141-30416-0026 |
| 30 | 141-30416-0025 |
| 31 | 141-30416-0026 |
| 32 | 141-30416-0025 |
| 33 | 141-30416-0026 |
| 34 | 141-30416-0025 |
| 35 | 141-30416-0026 |
| 36 | 141-30416-0025 |
| 37 | 141-30416-0026 |
| 38 | 141-30416-0025 |
| 39 | 141-30416-0026 |
| 40 | 141-30416-0025 |
| 41 | 141-30416-0026 |
| 42 | 141-30416-0025 |
| 43 | 141-30416-0026 |
| 44 | 141-30416-0025 |
| 45 | 141-30416-0026 |
| 46 | 141-30416-0025 |
| 47 | 141-30416-0026 |
| 48 | 141-30416-0025 |
| 49 | 141-30416-0026 |
| 50 | 141-30416-0025 |
| 51 | 141-30416-0026 |
| 52 | 141-30416-0025 |
| 53 | 141-30416-0026 |
| 54 | 141-30416-0025 |
| 55 | 141-30416-0026 |
| 56 | 141-30416-0025 |
| 57 | 141-30416-0026 |
| 58 | 141-30416-0025 |
| 59 | 141-30416-0026 |
| 60 | 141-30416-0025 |
| 61 | 141-30416-0026 |
| 62 | 141-30416-0025 |
| 63 | 141-30416-0026 |
| 64 | 141-30416-0025 |
| 65 | 141-30416-0026 |
| 66 | 141-30416-0025 |
| 67 | 141-30416-0026 |
| 68 | 141-30416-0025 |
| 69 | 141-30416-0026 |
| 70 | 141-30416-0025 |
| 71 | 141-30416-0026 |
| 72 | 141-30416-0025 |
| 73 | 141-30416-0026 |
| 74 | 141-30416-0025 |
| 75 | 141-30416-0026 |
| 76 | 141-30416-0025 |
| 77 | 141-30416-0026 |
| 78 | 141-30416-0025 |
| 79 | 141-30416-0026 |
| 80 | 141-30416-0025 |
| 81 | 141-30416-0026 |
| 82 | 141-30416-0025 |
| 83 | 141-30416-0026 |
| 84 | 141-30416-0025 |
| 85 | 141-30416-0026 |
| 86 | 141-30416-0025 |
| 87 | 141-30416-0026 |
| 88 | 141-30416-0025 |
| 89 | 141-30416-0026 |
| 90 | 141-30416-0025 |
| 91 | 141-30416-0026 |
| 92 | 141-30416-0025 |
| 93 | 141-30416-0026 |
| 94 | 141-30416-0025 |
| 95 | 141-30416-0026 |
| 96 | 141-30416-0025 |
| 97 | 141-30416-0026 |
| 98 | 141-30416-0025 |
| 99 | 141-30416-0026 |
| 100 | 141-30416-0025 |
| 101 | 141-30416-0026 |
| 102 | 141-30416-0025 |
| 103 | 141-30416-0026 |
| 104 | 141-30416-0025 |
| 105 | 141-30416-0026 |
| 106 | 141-30416-0025 |
| 107 | 141-30416-0026 |
| 108 | 141-30416-0025 |
| 109 | 141-30416-0026 |
| 110 | 141-30416-0025 |
| 111 | 141-30416-0026 |
| 112 | 141-30416-0025 |
| 113 | 141-30416-0026 |
| 114 | 141-30416-0025 |
| 115 | 141-30416-0026 |
| 116 | 141-30416-0025 |
| 117 | 141-30416-0026 |
| 118 | 141-30416-0025 |
| 119 | 141-30416-0026 |
| 120 | 141-30416-0025 |
| 121 | 141-30416-0026 |
| 122 | 141-30416-0025 |
| 123 | 141-30416-0026 |
| 124 | 141-30416-0025 |
| 125 | 141-30416-0026 |
| 126 | 141-30416-0025 |
| 127 | 141-30416-0026 |
| 128 | 141-30416-0025 |
| 129 | 141-30416-0026 |
| 130 | 141-30416-0025 |
| 131 | 141-30416-0026 |
| 132 | 141-30416-0025 |
| 133 | 141-30416-0026 |
| 134 | 141-30416-0025 |
| 135 | 141-30416-0026 |
| 136 | 141-30416-0025 |
| 137 | 141-30416-0026 |
| 138 | 141-30416-0025 |
| 139 | 141-30416-0026 |
| 140 | 141-30416-0025 |
| 141 | 141-30416-0026 |
| 142 | 141-30416-0025 |
| 143 | 141-30416-0026 |
| 144 | 141-30416-0025 |
| 145 | 141-30416-0026 |
| 146 | 141-30416-0025 |
| 147 | 141-30416-0026 |
| 148 | 141-30416-0025 |
| 149 | 141-30416-0026 |
| 150 | 141-30416-0025 |
| 151 | 141-30416-0026 |
| 152 | 141-30416-0025 |
| 153 | 141-30416-0026 |
| 154 | 141-30416-0025 |
| 155 | 141-30416-0026 |
| 156 | 141-30416-0025 |
| 157 | 141-30416-0026 |
| 158 | 141-30416-0025 |
| 159 | 141-30416-0026 |
| 160 | 141-30416-0025 |
| 161 | 141-30416-0026 |
| 162 | 141-30416-0025 |
| 163 | 141-30416-0026 |
| 164 | 141-30416-0025 |
| 165 | 141-30416-0026 |
| 166 | 141-30416-0025 |
| 167 | 141-30416-0026 |
| 168 | 141-30416-0025 |
| 169 | 141-30416-0026 |
| 170 | 141-30416-0025 |
| 171 | 141-30416-0026 |
| 172 | 141-30416-0025 |
| 173 | 141-30416-0026 |
| 174 | 141-30416-0025 |
| 175 | 141-30416-0026 |
| 176 | 141-30416-0025 |
| 177 | 141-30416-0026 |
| 178 | 141-30416-0025 |
| 179 | 141-30416-0026 |
| 180 | 141-30416-0025 |
| 181 | 141-30416-0026 |
| 182 | 141-30416-0025 |
| 183 | 141-30416-0026 |
| 184 | 141-30416-0025 |
| 185 | 141-30416-0026 |
| 186 | 141-30416-0025 |
| 187 | 141-30416-0026 |
| 188 | 141-30416-0025 |
| 189 | 141-30416-0026 |
| 190 | 141-30416-0025 |
| 191 | 141-30416-0026 |
| 192 | 141-30416-0025 |
| 193 | 141-30416-0026 |
| 194 | 141-30416-0025 |
| 195 | 141-30416-0026 |
| 196 | 141-30416-0025 |
| 197 | 141-30416-0026 |
| 198 | 141-30416-0025 |
| 199 | 141-30416-0026 |
| 200 | 141-30416-0025 |

NOTE: 100N, CSA SHALL BE UPDATED TO 80/100/120 CSA IF SERVICE IS REQUIRED.
 - FOR 100N, LAST UPDATE, ORDER CSA KIT 141-30416-0026 AND COMPRESSION ROD KIT 141-30418-0022

NOTE: CONVERTING FROM 100 TO 1.5MM AXLE REQUIRES CASING KIT 141-30417-0025 AND EITHER ORIS AXLE KIT 141-20131-0027 OR HEX LOCK SL AXLE KIT 141-23147-0001

MACHETE 100 COMP 29 EXPLODED VIEW



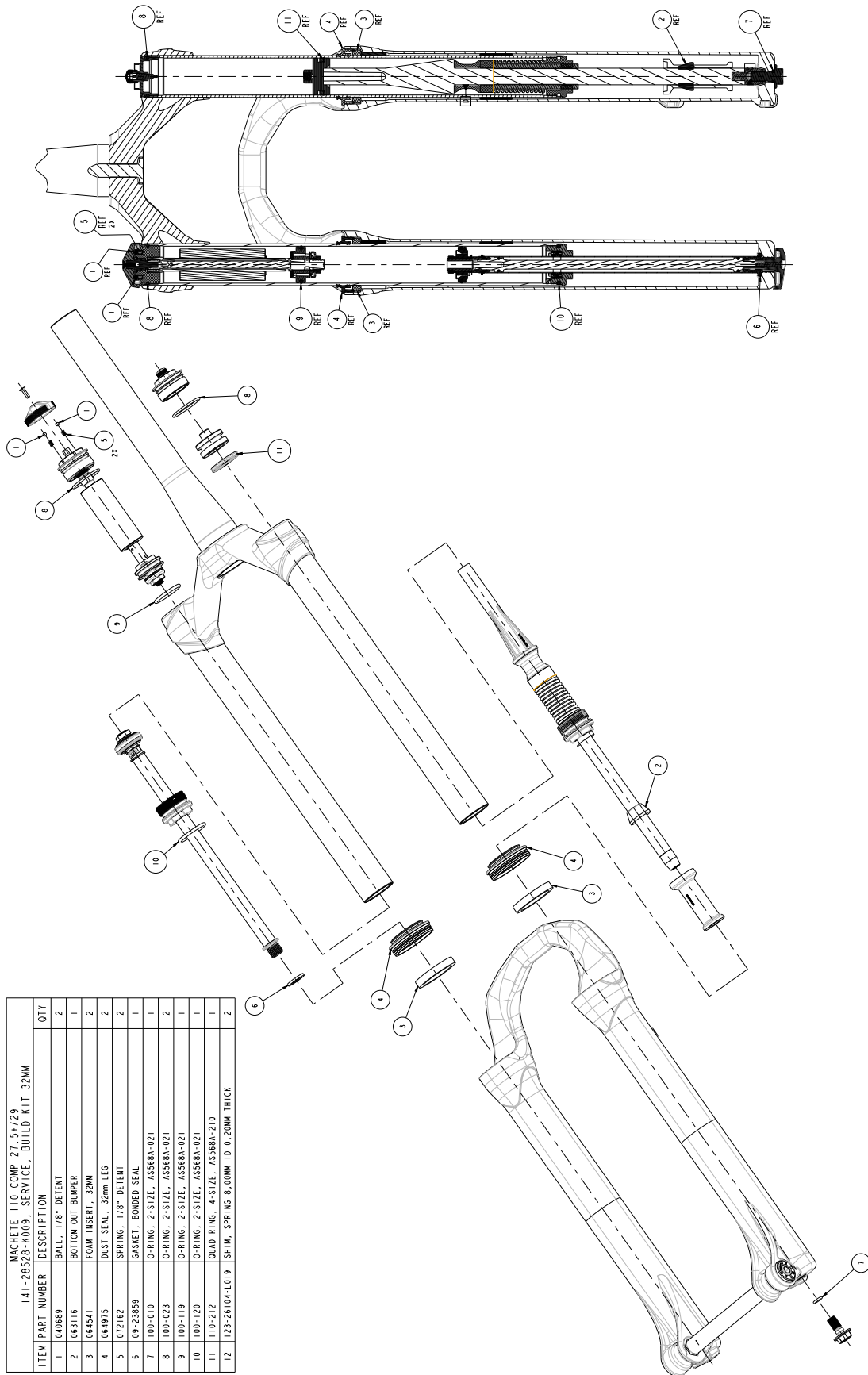
| MACHETE 100 COMP 29 | | |
|---------------------|------------------|----------------|
| ITEM | PART DESCRIPTION | |
| 1 | 141-30443-0019 | 141-30443-0019 |
| 2 | 141-30443-0020 | 141-30443-0020 |
| 3 | 141-30443-0022 | 141-30443-0022 |
| 4 | 141-30443-0027 | 141-30443-0027 |
| 5 | 141-30443-0029 | 141-30443-0029 |
| 6 | 141-30443-0038 | 141-30443-0038 |
| 7 | 83-3150 | 83-3150 |
| 8 | 141-27988-0012 | 141-27988-0012 |
| 9 | 141-28131-0025 | 141-28131-0025 |
| 10 | 141-30443-0020 | 141-30443-0020 |
| 11 | 141-30443-0029 | 141-30443-0029 |
| 12 | 141-30443-0010 | 141-30443-0010 |
| 13 | 141-27177-0002 | 141-27177-0002 |
| 14 | 141-33385-0001 | 141-33385-0001 |
| 15 | 141-28131-0024 | 141-28131-0024 |
| 16 | 141-33147-0001 | 141-33147-0001 |
| 17 | 65-3944 | 65-3944 |
| 18 | 141-23391-0005 | 141-23391-0005 |
| 19 | 141-26532-0002 | 141-26532-0002 |
| 20 | 141-33385-0002 | 141-33385-0002 |
| 21 | 141-24255-0001 | 141-24255-0001 |
| 22 | 141-24255-0001 | 141-24255-0001 |
| 23 | 141-24255-0001 | 141-24255-0001 |
| 24 | 141-33158 | 141-33158 |
| 25 | 141-28528-0009 | 141-28528-0009 |

NOTE: 100K CSA SHALL BE UPDATED TO 80/100/120 CSA IF SERVICE IS REQUIRED.

- FOR 100K 40MM OFFSET ASST UPDATE, ORDER CSA KIT 141-30443-0019 AND COMPRESSION ROD KIT 141-30418-0027
- FOR 100K 51MM OFFSET ASST UPDATE, ORDER CSA KIT 141-30443-0021 AND COMPRESSION ROD KIT 141-30418-0027
- FOR 100K 40MM OFFSET 1.5T UPDATE, ORDER CSA KIT 141-30443-0020 AND COMPRESSION ROD KIT 141-30418-0027
- FOR 100K 51MM OFFSET 1.5T UPDATE, ORDER CSA KIT 141-30443-0022 AND COMPRESSION ROD KIT 141-30418-0027

NOTE: C/WERTING FROM 9MM OR TO A 1MM AXLE REQUIRES CASTING KIT 141-30477-0003 AND EITHER ORIS AXLE KIT 141-28131-0027 OR HEX LOCK SL AXLE KIT 141-33147-0001

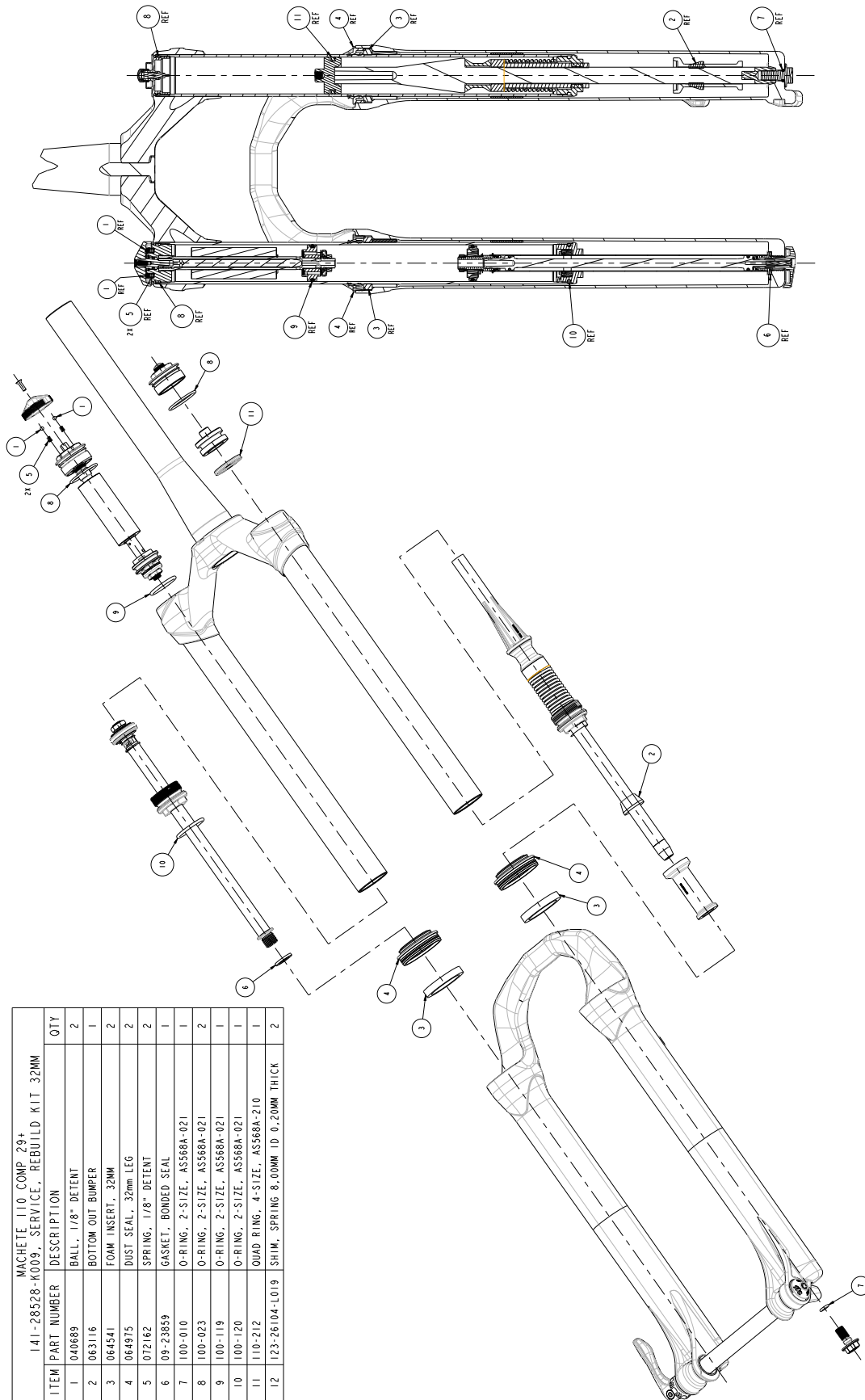
MACHETE 110 COMP 27.5+ REBUILD KIT



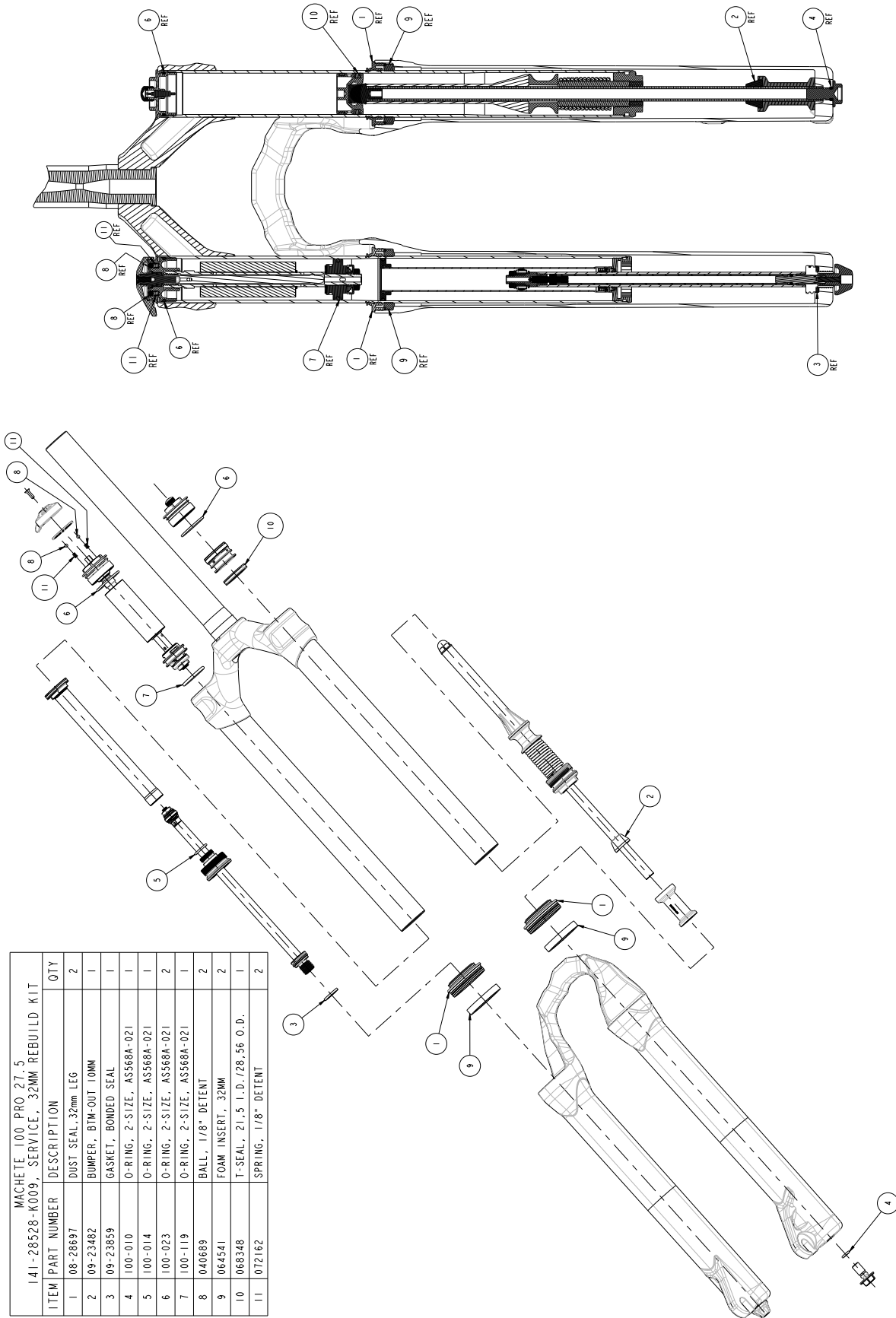
MACHETE 110 COMP 27.5+ 1/29
141-28528-1009. SERVICE. BUILD KIT 32MM

| ITEM | PART NUMBER | DESCRIPTION | QTY |
|------|----------------|-------------------------------------|-----|
| 1 | 040669 | BALL, 1/8" DETENT | 2 |
| 2 | 063116 | BOTTOM OUT BUMPER | 1 |
| 3 | 064541 | FOAM INSERT, 32MM | 2 |
| 4 | 064975 | DUST SEAL, 32mm LEG | 2 |
| 5 | 072162 | SPRING, 1/8" DETENT | 2 |
| 6 | 09-23859 | GASKET, BONDED SEAL | 1 |
| 7 | 100-010 | O-RING, 2-SIZE, AS568A-021 | 1 |
| 8 | 100-023 | O-RING, 2-SIZE, AS568A-021 | 2 |
| 9 | 100-119 | O-RING, 2-SIZE, AS568A-021 | 1 |
| 10 | 100-120 | O-RING, 2-SIZE, AS568A-021 | 1 |
| 11 | 110-712 | QUAD RING, 4-SIZE, AS568A-210 | 1 |
| 12 | 123-26104-1019 | SHIM, SPRING 8.00MM ID 0.20MM THICK | 2 |

MACHETE 110 COMP 29+ REBUILD KIT

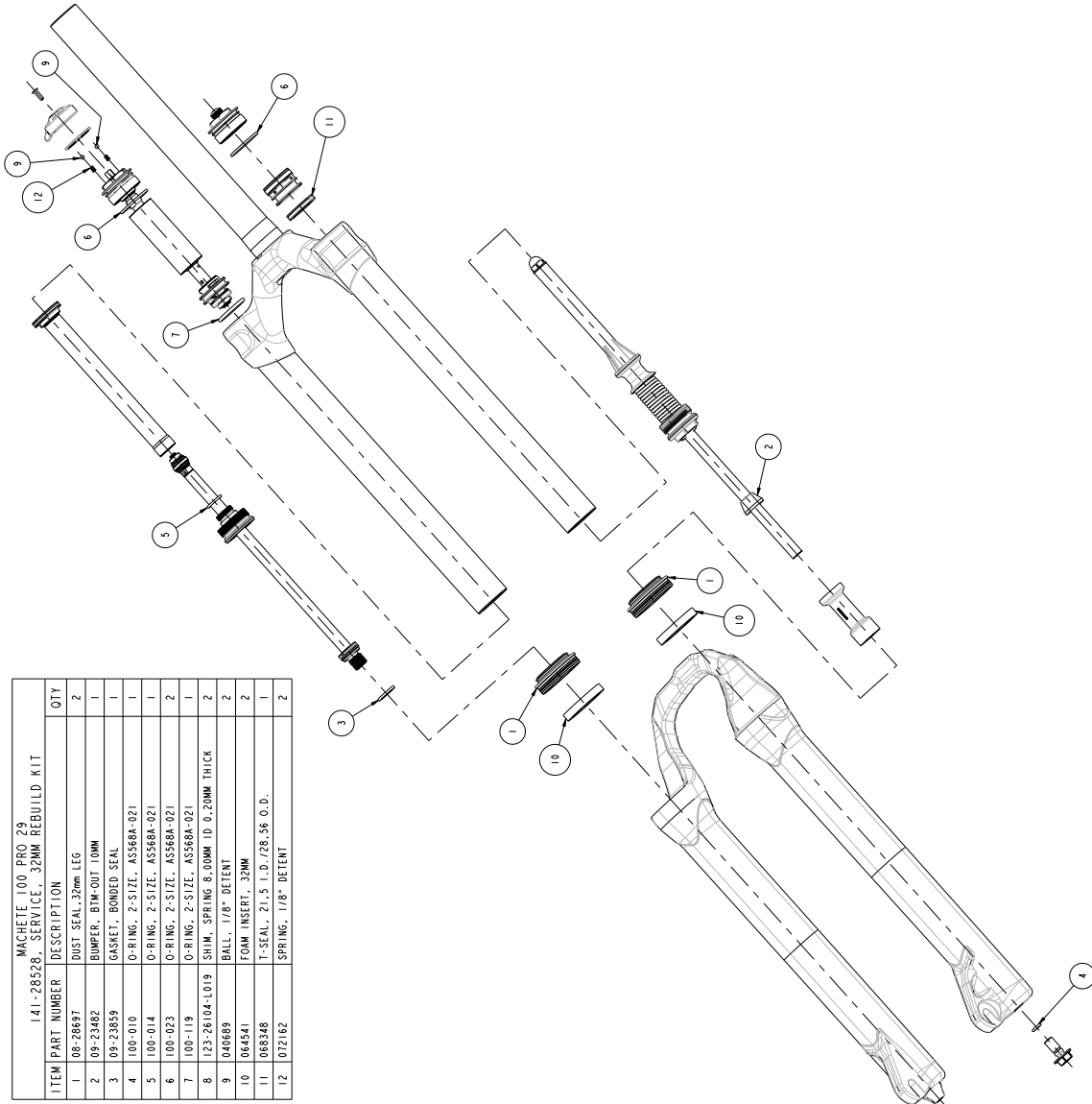
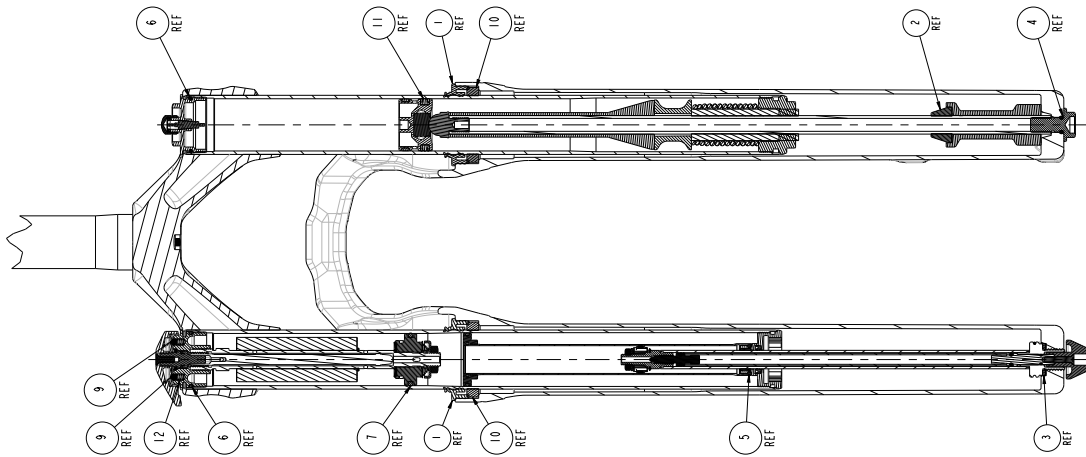


MACHETE PRO 27.5 REBUILD KIT



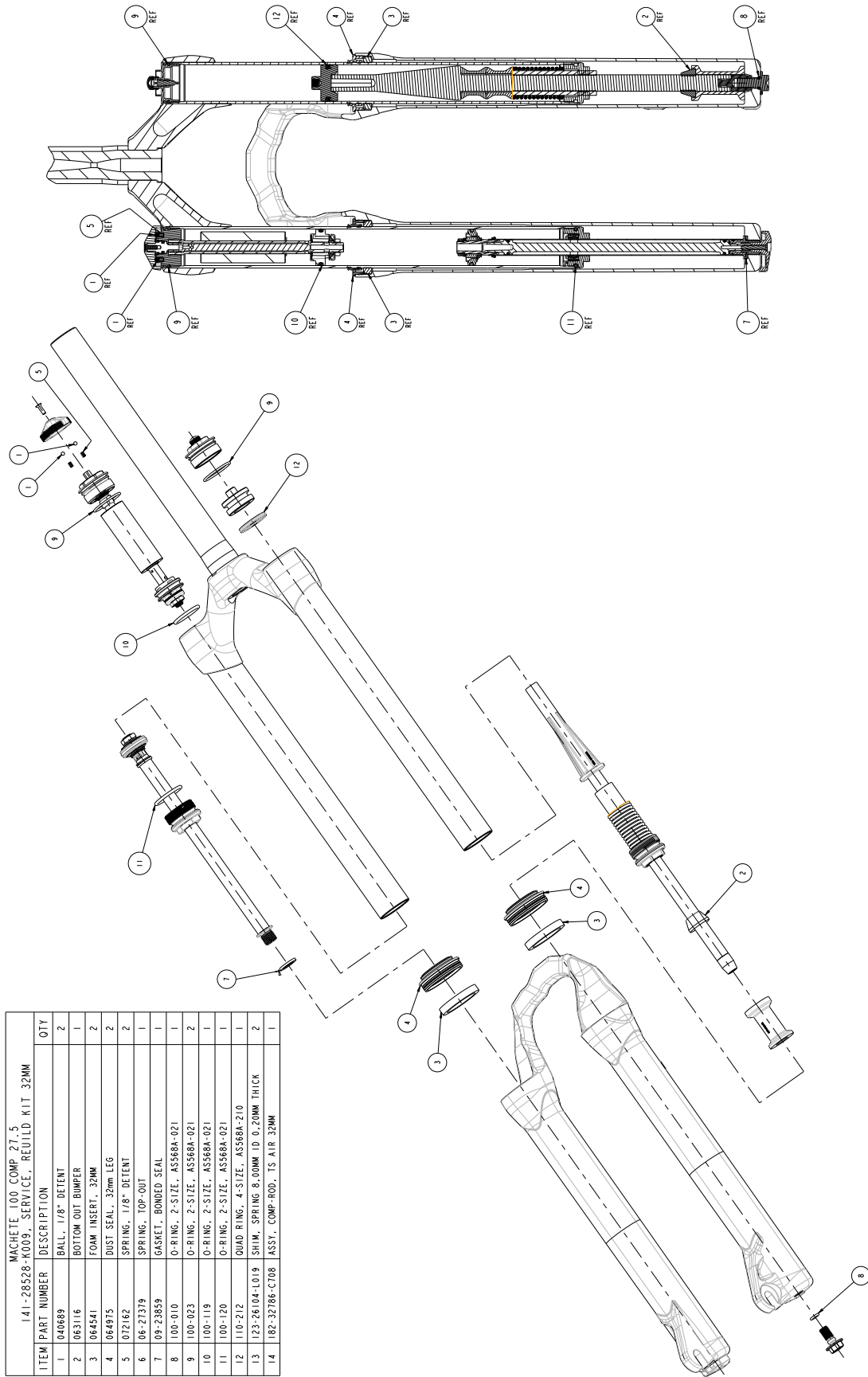
| MACHETE 100 PRO 27.5 141-28528-K009, SERVICE, 32MM REBUILD KIT | | |
|---|------------------------------|-----|
| ITEM | DESCRIPTION | QTY |
| 1 | DUST SEAL, 32mm LEG | 2 |
| 2 | BUMPER, BTM-OUT 10MM | 1 |
| 3 | GASKET, BONDED SEAL | 1 |
| 4 | O-RING, 2-SIZE, AS568A-021 | 1 |
| 5 | O-RING, 2-SIZE, AS568A-021 | 1 |
| 6 | O-RING, 2-SIZE, AS568A-021 | 2 |
| 7 | O-RING, 2-SIZE, AS568A-021 | 1 |
| 8 | BALL, 1/8" DETENT | 2 |
| 9 | FOAM INSERT, 32MM | 2 |
| 10 | T-SEAL, 21.5 I.D./28.56 O.D. | 1 |
| 11 | SPRING, 1/8" DETENT | 2 |

MACHETE PRO 29 REBUILD KIT



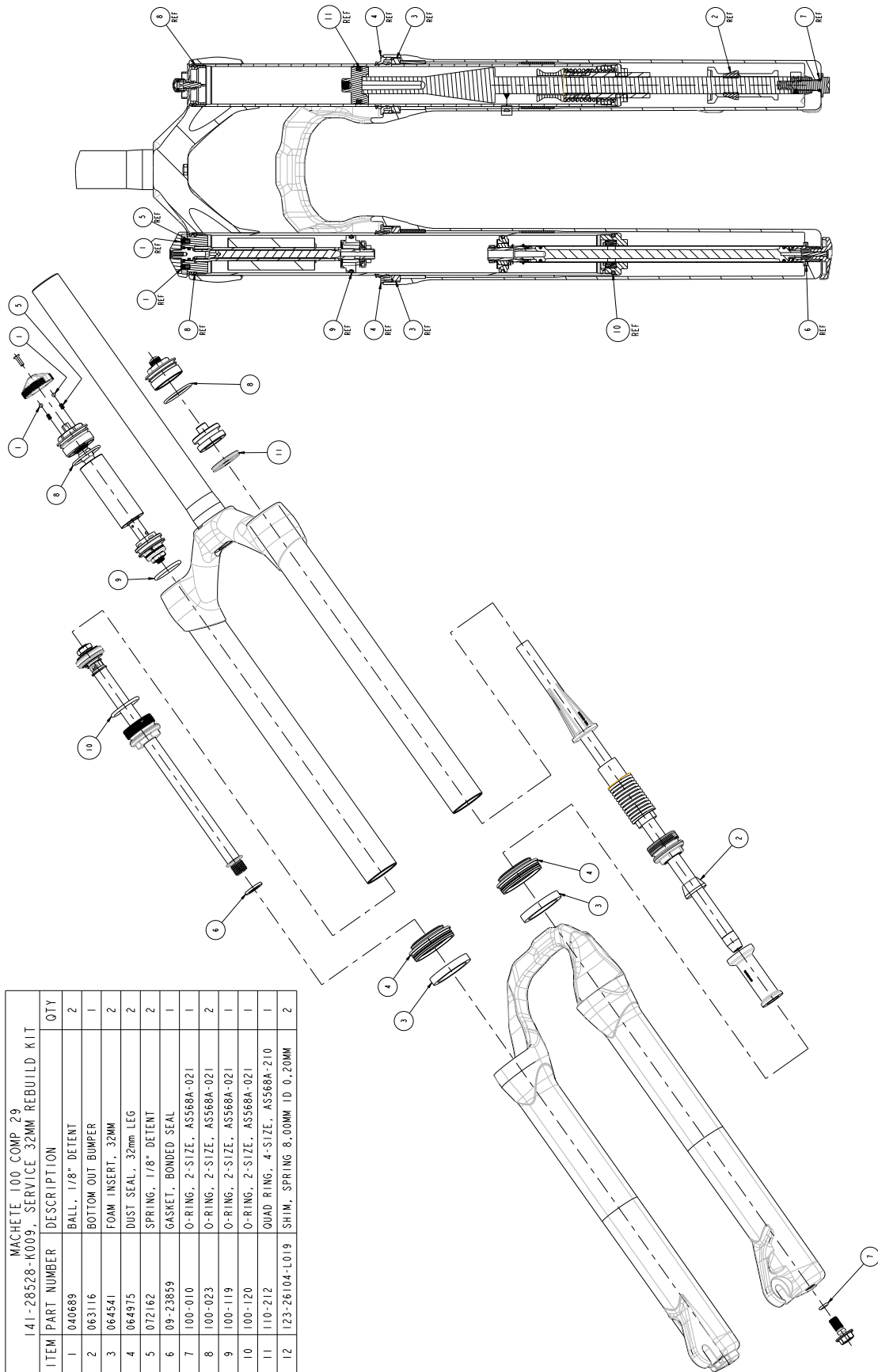
| MACHETE 100 PRO 29 SERVICE, 32MM REBUILD KIT | | |
|--|----------------|-----|
| ITEM PART NUMBER | DESCRIPTION | QTY |
| 1 | 08-28697 | 2 |
| 2 | 08-23462 | 1 |
| 3 | 08-23859 | 1 |
| 4 | 100-010 | 1 |
| 5 | 100-014 | 1 |
| 6 | 100-023 | 2 |
| 7 | 123-26104-L019 | 1 |
| 8 | 040689 | 2 |
| 9 | 064541 | 2 |
| 10 | 068348 | 1 |
| 11 | 072162 | 2 |

MACHETE COMP 27.5 REBUILD KIT



| MACHETE 100 COMP 27.5 141-28526-K009, SERVICE, REBUILD KIT 32MM | | | |
|--|----------------|-------------------------------------|-----|
| ITEM | PART NUMBER | DESCRIPTION | QTY |
| 1 | 040689 | BALL, 1/8" DETENT | 2 |
| 2 | 1063116 | BOTTOM OUT BUMPER | 1 |
| 3 | 1064541 | FOAM INSERT, 32MM | 2 |
| 4 | 064875 | DUST SEAL, 32mm LEG | 2 |
| 5 | 072162 | SPRING, 1/8" DETENT | 2 |
| 6 | 06-27379 | SPRING, TOP-OUT | 1 |
| 7 | 09-23859 | GASKET, BONDED SEAL | 1 |
| 8 | 100-010 | O-RING, 2-SIZE, AS568A-021 | 1 |
| 9 | 100-023 | O-RING, 2-SIZE, AS568A-021 | 2 |
| 10 | 100-119 | O-RING, 2-SIZE, AS568A-021 | 1 |
| 11 | 100-120 | O-RING, 2-SIZE, AS568A-021 | 1 |
| 12 | 110-212 | O-RING, 4-SIZE, AS568A-210 | 1 |
| 13 | 123-26104-L019 | SHIM, SPRING 8.00MM ID 0.20MM THICK | 2 |
| 14 | 182-32766-C708 | ASST, COMP-ROD, TS AIR 32MM | 1 |

MACHETE COMP 29 REBUILD KIT



| MACHETE 100_COMP 29 | | | |
|--|----------------|-------------------------------|-----|
| 141-28528-K009, SERVICE 32MM REBUILD KIT | | | |
| ITEM | PART NUMBER | DESCRIPTION | QTY |
| 1 | 040689 | BALL, 1/8" DETENT | 2 |
| 2 | 063116 | BOTTOM OUT BUMPER | 1 |
| 3 | 064541 | FOAM INSERT, 32MM | 2 |
| 4 | 064975 | DUST SEAL, 32mm LEG | 2 |
| 5 | 072162 | SPRING, 1/8" DETENT | 2 |
| 6 | 09-23859 | GASKET, BONDED SEAL | 1 |
| 7 | 100-010 | O-RING, 2-SIZE, AS568A-021 | 1 |
| 8 | 100-023 | O-RING, 2-SIZE, AS568A-021 | 2 |
| 9 | 100-119 | O-RING, 2-SIZE, AS568A-021 | 1 |
| 10 | 100-120 | O-RING, 2-SIZE, AS568A-021 | 1 |
| 11 | 110-212 | QUAD RING, 4-SIZE, AS568A-210 | 1 |
| 12 | 123-26104-L019 | SHIM, SPRING 8.00MM ID 0.20MM | 2 |



WWW.MANITOUMTB.COM WWW.HAYESCOMPONENTS.COM
5800 W DONGES BAY ROAD MEQUON WI 53092